

## Product Feature

1. Single and two phase wide input range 180 ~ 550VAC
2. Protections: Short circuit/Overload/Over voltage/Over temperature
3. Cooling by free air convection
4. Ultra-thin width: 32mm
5. 4.7KVdc I/O high High isolation (Enhanced Isolation)
6. Can be installed on DIN rail TS-35/7.5 or 15
7. Ultra-wide operating range from -30 °C to +85°C (reduced for temperatures above +60 °C)
8. Adjustable DC output voltage (+20%)
9. Built-in DC OK relay contact


**3 years Warranty**
**650g/Typ.**

## Describe

The DM-W150 series is a 150W DIN rail power supply with an ultra-wide AC input range. Suitable for installation on the tracks of TS-35/7.5 or TS-35/15. The main features are: it can accept an ultra-wide input voltage range of 180 to 550VAC for one or two phases; the DIN rail type is easy to install and adopts an ultra-thin design (width only 32mm); it has a wide operating temperature range of -30 to +85°C. With a 4.7KVAC high isolation voltage, it can operate at an altitude of 5000m. The output voltage is adjustable (up to +20%), featuring high efficiency, low ripple, low noise, and full protection.

The DM-W150 complies with the BSEN/EN-61000-6-2 industrial exemption standard environment and is suitable for various applications such as industrial automation, monitoring, and communication.

## Application areas

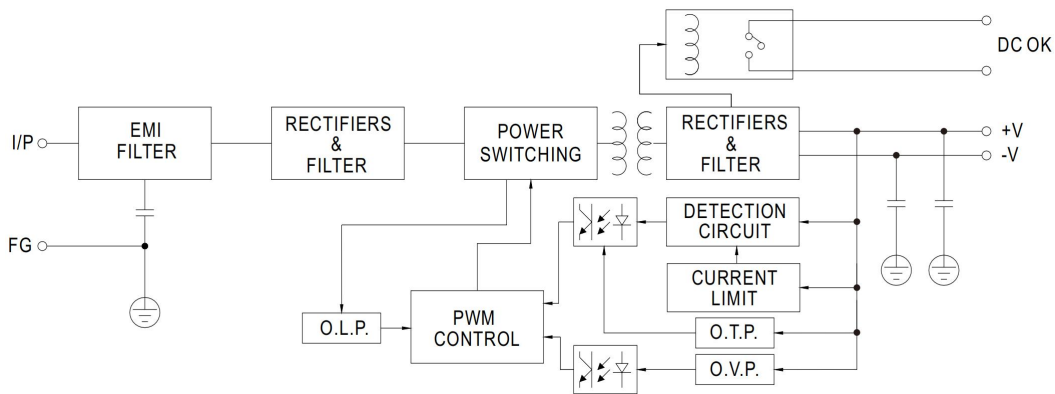
- Industrial automation machinery
- Semiconductor manufacturing equipment
- Industrial control system
- Electronic instruments and equipment

## Electrical Specifications

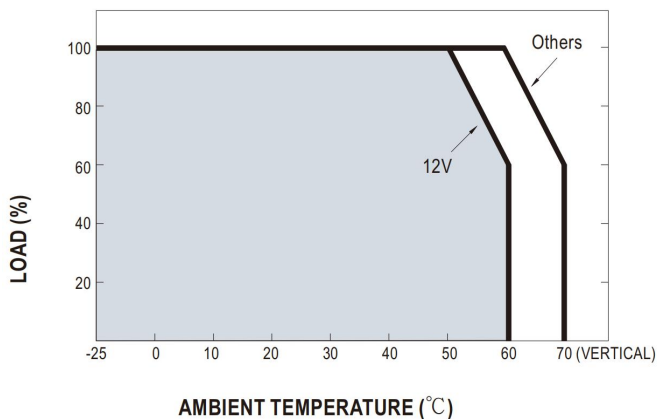
Model number	DM-W150-12	DM-W150-24	DM-W150-48
DC output	12V	24V	48V
Current	12.5A	6.25A	3.12A
Current range	0-12.5A	0-6.25A	0-3.12A
Rated power	150W	150W	150W
Ripple and Noise(Max)(20MHZ)	120mVp-p	120mVp-p	150mVp-p
Voltage adjustment range	12-15V	24-29V	48-58V
Voltage accuracy	±1.5%	±1%	±1%
Linear adjustment rate	±0.5%	±0.5%	±0.5%
Load adjustment rate	±0.5%	±0.5%	±0.5%
Start/rise time	2000ms, 70ms, 50ms/400VAC 2000ms, 70ms, 10ms/230VAC(at full load)		
Holding time(Typ.)	30ms/230VAC 12ms/115VAC at full load		
Input voltage range	180 ~ 550Vac(254 ~ 780Vdc)		
Frequency range	47-63Hz		
Efficiency	89.50%	91%	92%
Input current	0.7A/400VAC 1.2A/230VAC		
Surge current (cold start)	50A		
Leakage current	<3.5mA / 530VAC		

Overload protection	105-130% of rated output power		
	Protected mode:hiccup mode. The converter should re-work after fault disappear		
Overvoltage protection	16 ~ 18V	31 ~ 37V	60 ~ 67V
	Protected mode:hiccup mode.the converter should re-work after fault disappear		
Short circuit protection	Output terminal short circuit		
	Protected mode:hiccup mode.The converter should re-work after fault disappear		
Operating temperature/humidity	-25°C+70°C/20-90%RH,No condensation (see "Derating curve")		
Storage temperature/humidity	-40°C+85°C/5-95%RH,No condensation		
Temperature coefficient	±0.03%/°C (0-60°C)		
Overvoltage level	II;Compliance with EN61558, EN50178,EN60664-1, EN62477-1,EN60204-1,The altitude can be as high as 2,000 meters		
Safety specification	UI61010, BS EN/EN61558-2-16, the AS/NZS 62368. 1, EAC TP TC 004 certification through, design reference GL and BS EN/EN60204-1 (AS required)		
Withstand voltage	I/P-O/P:3KVAC I/P-FG:2KVAC O/P-FG:0.5KVAC O/P-DC OK:0.5KVAC		
Insulation impedance	I/P-O/P, I/P-FG, O/P-FG:>100M Ohms / 500Vdc / 25°C/ 70% RH		
Electromagnetic compatibility	BS EN/EN55035 , BS EN/EN61000-6-2(BS EN/EN50082-2)		
dimension	40*125.2*113.5mm (W*H*D)		
weight	650g		
Heat dissipation mode	Natural convection		
MTBF	1509.6K hrs min. Telcordia SR-332 (Bellcore) ; 268.1K hrs min. MIL-HDBK-217F (25°C)		

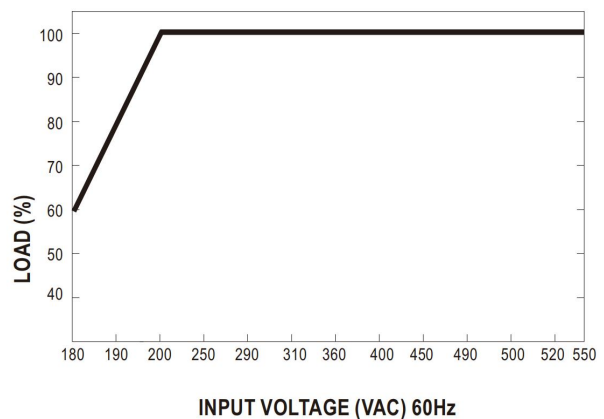
### Block Diagram



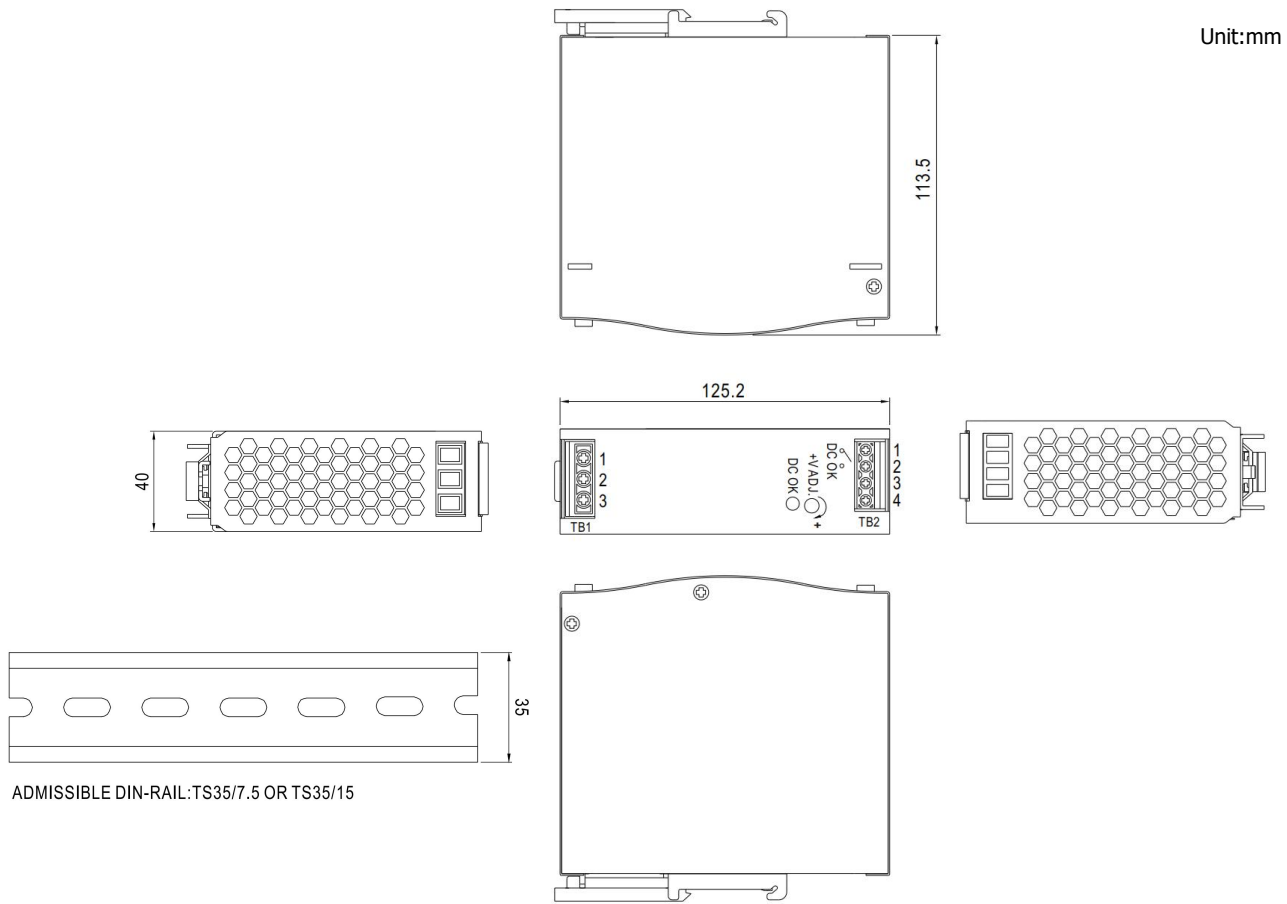
### Derating Curve



### Output Derating VS Input Voltage



### Mechanical Specification



ADMISSIBLE DIN-RAIL:TS35/7.5 OR TS35/15

Terminal Pin No. Assignment(TB1)

Pin	Function
1	FG≐
2	AC/L2
3	AC/L1

Terminal Pin No. Assignment(TB2)

Pin	Function
1,2	Relay contact
3	DC output -V
4	DC output +V